

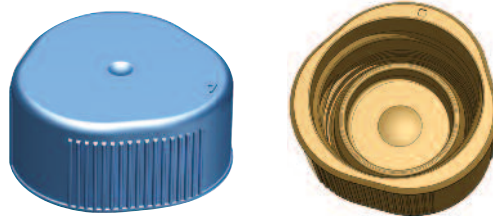


innovative AND NON LEAKING
Screw Cap Tubes with Smart Closure Technology

0.5 - 1.5 - 2.0 ML CONICAL and FREE STANDING in 10 DIFFERENT COLORS

Welcome

- Smart closure
- Non leakage
- Organic solvents
- Full recovery
- No molecule binding
- Color coded tube
- Color coded cap
- Boiling water-baths
- cold freezers
- Kit composers
- Proper SOP's
- Reproducibility guru's



Farewell

- O-rings
- Leakage
- Spillage
- Contamination
- Sample loss
- Degradated o-rings
- Mixing-up items
- Cracked-o-rings
- Inconsistency

WORK-RANGE
-200°C - +100 °C

NOW ALSO WITH

**EASY ONE HAND
OPENING & CLOSURE
CAPS**



NEW SCREW CAP TUBES AND CLOSURE TECHNOLOGY

We at BIOplastics are proud to introduce another new innovative product, [Screw Cap Tubes with Smart Secure Closure Technology](#).

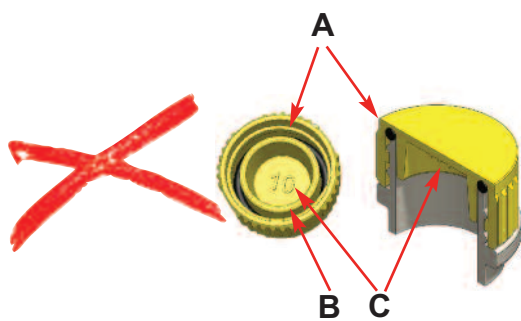
This new Smart secure closure technology is resulting in superior Screw Cap Tubes. The screw caps are designed in a way that the use of "old fashioned" rubber rings has become obsolete since its performance is superior, when compared to regular screw cap tubes. The absence of a rubber ring assures that the closure is not affected when in contact with organic solvents nor that leakage occurs due to hardening and unbalanced shrinkage caused by low and high temperatures and pressure.

The new Smart secure closure design allows frequent opening and closing, even in extreme conditions, without compromising the closure and also avoiding leakage.

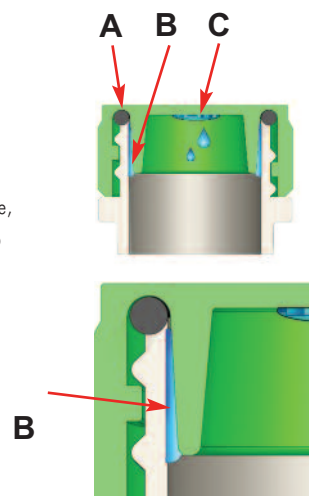
COLORED SCREW CAP TUBES AND COLORED SCREW CAPS

So far the marketplace uses screw cap tubes with colored caps. In some cases screw cap tubes are used with the caps attached to the tubes to prevent contamination of similar tubes by means of mixing up caps. However pipetting with an attached lid is not optimal since spacing of tubes, the overall footprint, and the chance of touching the inner part of the cap are major drawbacks. To overcome the use of attached caps and to prevent cross contamination by mixing up tubes and caps we have not only colored our screw caps but also offering our screw cap tubes in 10 different colors. BIOplastics is the first company in the world offering [COLORED SCREW CAP TUBES AND COLORED SCREW CAPS](#) which enable not only a wide variety of color coded combinations (colored tube and colored cap) but also severely reduces the chance of cross contamination caused by mixing up incorrect colored cap to tube closure.

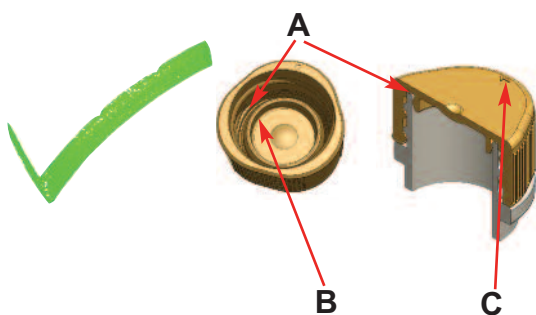
OLD TRADITIONAL SCREW CAP TUBES AND CAP WITH O-RINGS



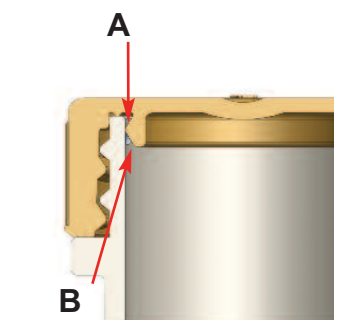
- A: Rubber ring, may contaminate your sample, dissolved in organic solutions, become brittle in time and may break at lower temperatures
- B: Inner cylinder sitting in the tube and causing lost of sample, inconsistency of result and increases contact sample to tub surface
- C: Cavity number inside the cap: source of binding and contamination



NEW SCREW CAP TUBES AND CAPS WITH SMART SECURE CLOSURE



- A: Smart closure, avoids sample contaminate, withstands organic solutions, remains soft at extreme low and high temperatures
- B: Absence of cylinder sitting in the tube assures maximum sample recovery, consistency of result and decreases contact sample to tube surface
- C: Cavity number outside of the cap avoids binding and contamination



TUBE AND CAP FACTS, THAT IS WHY AND HOW IT WORKS BETTER FOR YOU

Triangular cap:

- decreases chance of rolling away
- easy handling & holding in hand

Smart closure:

- avoids sample contamination
- remains soft at extreme low and high temperatures
- enables the use of organic solvents
- assures no leakage

Absence of cylinder sitting in the tube:

- assures maximum sample recovery, consistency of results and decreases contact sample to tube surface

No logo at inner side of cap:

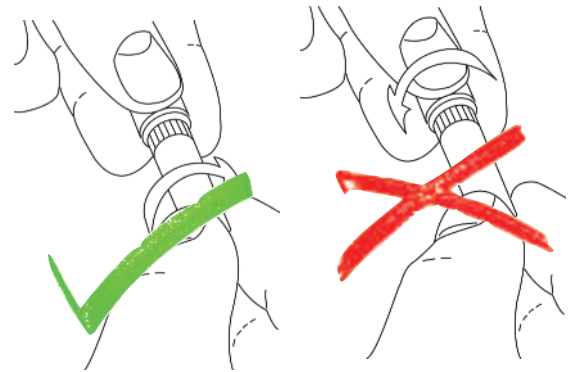
- avoids sticking of molecules in corners and reducing total contact surface

HOW TO OPEN AND CLOSE THE TUBES EASILY

(applicable for regular type caps)

This is how you do it.....

SCREW THE TUBE TO THE CAP instead of the cap to the tube



FROSTED TUBES, CLEAR TRANSPARENT TUBES

The tubes are all slightly frosted to assure good grip even in wet conditions. If you apply a transparent label or regular cello tape your frosted tube becomes very clear and transparent at the label/tape position

0.5 ml Screw Cap Tubes

Conical (without screw caps)



Orderno Description Package Size
 B71057 Natural, 0.5 ml conical screw cap tube bag, 500

B91002	red	B91005	yellow	B91008	amber	B91011	natural, sterile
B91003	blue	B91006	orange	B91009	white	B91012	SW colors
B91004	green	B91007	violet	B91010	black		



Free Standing (without screw caps)



Orderno Description Package Size
 B71060 Natural, 0.5 ml free standing screw cap tube bag, 500

B91032	red	B91035	yellow	B91038	amber	B91041	natural, sterile
B91033	blue	B91036	orange	B91039	white	B91042	SW colors
B91034	green	B91037	violet	B91040	black		



1.5 ml Screw Cap Tubes

Conical (without screw caps)



Orderno Description Package Size
 B71058 Natural, 1.5 ml conical screw cap tube bag, 500

B91102	red	B91105	yellow	B91108	amber	B91111	natural, sterile
B91103	blue	B91106	orange	B91109	white	B91112	SW colors
B91104	green	B91107	violet	B91110	black		



Free Standing (without screw caps)



Orderno Description Package Size
 B71061 Natural, 1.5 ml free standing screw cap tube bag, 500

B91132	red	B91135	yellow	B91138	amber	B91141	natural, sterile
B91133	blue	B91136	orange	B91139	white	B91142	SW colors
B91134	green	B91137	violet	B91140	black		



2.0 ml Screw Cap Tubes



Conical (without screw caps)

Orderno Description Package Size
 B91201 Natural, 2.0 ml conical screw cap tubebag, 500

B91202	red	B91205	yellow	B91208	amber	B91211	natural, sterile
B91203	blue	B91206	orange	B91209	white	B91212	SW colors
B91204	green	B91207	violet	B91210	black		



Free Standing (without screw caps)



Orderno Description Package Size
 B71072 Natural, 2.0 ml free standing screw cap tubebag, 500

B91232	red	B91235	yellow	B91238	amber	B91241	natural, sterile
B91233	blue	B91236	orange	B91239	white	B91242	SW colors
B91234	green	B91237	violet	B91240	black		



Screw caps

Screw caps with S-mart Secure Closure Technology (all applications)

By using screw caps with Secure Closure Technology excellent closure of the tubes is guaranteed. Screw caps are available in nine different colors. For use with all 0.5 ml, 1.5 ml and 2.0 ml screw cap tubes..For robust applications such as long term storage: ≥ 3 years below -60°C or incubation at $\geq 95^{\circ}\text{C}$ for ≥ 2 hours

Orderno Description Package Size
 B91300 Natural, screw capbag, 500

B91302	red	B91305	yellow	B91308	amber	B91311	natural, sterile
B91303	blue	B91306	orange	B91309	white		
B91304	green	B91307	violet	B91310	black		



Screw caps with S-mart Secure Closure Technology (Medium & mild applications) Type Easy Opening & Closure (one hand)

Screw caps are available in nine different colors. For use with all 0.5 ml, 1.5 ml and 2.0 ml screw cap tubes.For less robust applications: ≤ 3 years higher than -60°C or less stringent incubation $\leq 100^{\circ}\text{C}$ ≤ 1.5 hours.

Orderno Description Package Size
 B91400 Natural, screw cap, Easy Opening and Closurebag, 500

B91402	red	B91405	yellow	B91408	amber	B91411	natural, sterile
B91403	blue	B91406	orange	B91409	white		
B91404	green	B91407	violet	B91410	black		

NEW



Working range:

Tubes & Caps: -200°C - $+100^{\circ}\text{C}$ and centrifuged up to 20.000 g, with the correct rotor support up to 40.000 g.

All products are DNA(se) RNA(se), Pyrogen, Metal and ATP free

© BIOplastics 07-2009

Your Local Distributor:

Head Quarters:

BIOplastics BV
 Rötischerweg 61
 Entrance D
 6374 XW Landgraaf
 The Netherlands
 Telephone: +31 (0)45 533 87 50
 Fax: +31 (0)45 533 87 96
 Website: www.bioplastics.com
 E-mail: info@bioplastics.com

Subsidiary:

BPCTi Inc.
 2933 South Miami Blvd.
 Suite 121
 Durham, NC 27703, USA
 Telephone: 919 806 8811
 Fax: 919 806 2014
 E-mail: info@bpcti.com
 Website: www.bpcti.com

